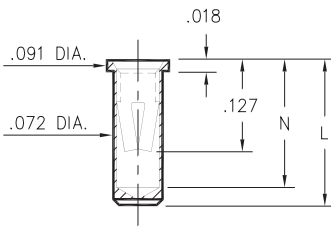


0327/0351/0373

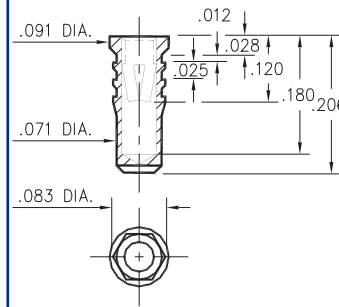


| Basic Part Number | Length L | Depth N |
|-------------------|----------|---------|
| 0327-0 | .206 | .180 |
| 0351-0 | .226 | .200 |
| 0373-0 | .270 | .241 |

03XX-0-15-XX-34-XX-10-0

Solder mount in .075 min. mounting hole

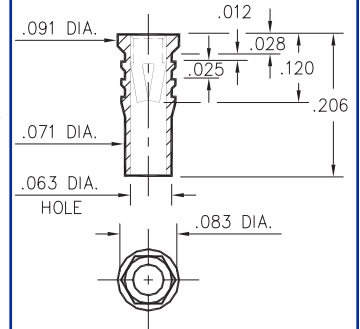
0328



0328-0-15-XX-34-XX-10-0

Hex press-fit in .079 plated thru hole

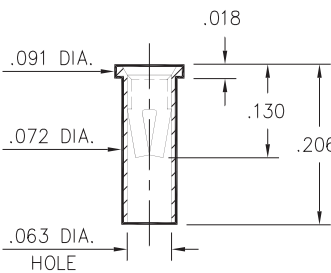
0334



0334-0-15-XX-34-XX-10-0

Hex press-fit in .079 plated thru hole

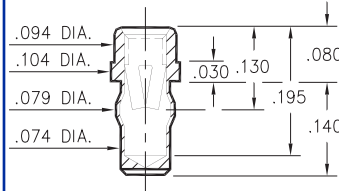
0312



0312-0-15-XX-34-XX-10-0

Solder mount in .075 min. mounting hole

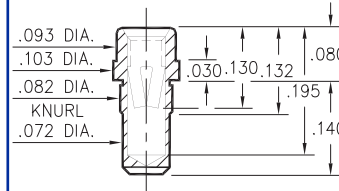
0333



0333-0-42-XX-34-XX-10-0

Press-fit in .076 mounting hole

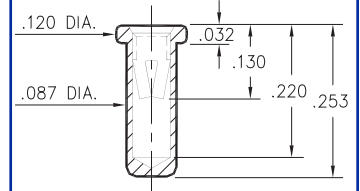
0357



0357-0-15-XX-34-XX-10-0

Press-fit in .078 mounting hole

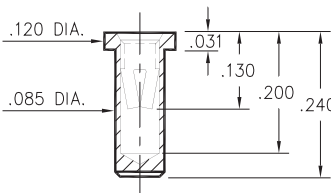
0317



0317-0-15-XX-34-XX-10-0

Solder mount in .091 min. mounting hole

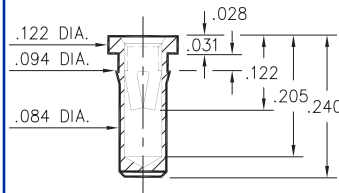
0340



0340-0-15-XX-34-XX-10-0

Solder mount in .087 min. mounting hole

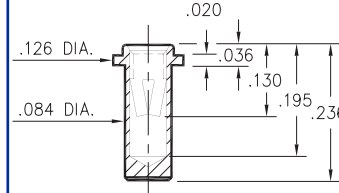
0345



0345-0-15-XX-34-XX-10-0

Press-fit in .089 mounting hole

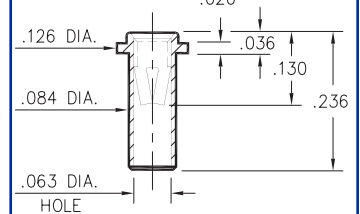
0316



0316-0-15-XX-34-XX-10-0

Solder mount in .087 min. mounting hole

0314



0314-0-15-XX-34-XX-10-0

Solder mount in .087 min. mounting hole

SPECIFICATIONS

SHELL MATERIAL:
Brass Alloy 360, 1/2 Hard

CONTACT MATERIAL:
Beryllium Copper Alloy 172, HT

DIMENSION IN INCHES
TOLERANCES ON:
LENGTHS: ±.005
DIAMETERS: ±.002
ANGLES: ± 2°

ORDER CODE: XXXX - X - XX - XX - 34 - XX - 10 - 0

BASIC PART # →

SPECIFY SHELL FINISH:

- 01 200µ" TIN/LEAD OVER NICKEL
- 80 200µ" TIN OVER NICKEL ◊
- 15 10µ" GOLD OVER NICKEL ◊

SPECIFY CONTACT FINISH:

- 01 200µ" TIN/LEAD OVER NICKEL
- 80 200µ" TIN OVER NICKEL ◊
- 27 30µ" GOLD OVER NICKEL ◊



CONTACT

#34 CONTACT (DATA ON PAGE 212)